

GCS-212 Falcon Flyaway VSAT System



The Global Communications Solutions GCS 212 Series 1.2 meter FlyAway Earth Station System provides true Internet Protocol (IP) transmission for voice, data and video communications requirements. The system features a compact three case design including two for the antenna and a single rugged equipment case.

Benefits:

- Provides complete communications for 12 voice subscribers, a LAN and H.323 video conferencing system if applicable.
- Lightweight three case system for ease of transport
- Rapid deployment by one or two persons in one hour
- High speed Internet access or file transfer from remote sites provides timely information to decision makers.
- Dynamic bandwidth sharing of space segment amongst voice, video and data.
- Ideal for corporate VPN applications from remote sites.

The weatherized equipment case houses the satellite modem, 100BaseT Switch, PABX and router. The 12 x 4 PABX provides 12 subscriber lines and four trunk lines. The trunk lines are inputs to the router which convert the voice signals to an IP data stream. The 100BaseT Switch allows connection of up to 15 LAN inputs including laptops and /or an H.323 video conferencing system.

The modem includes an integral L-Band transceiver. The L-Band IF signal is amplified by a 4 watt block up converter (other power levels available). A separate LNB provides the necessary downlink amplification. Only two coaxial cables are required for connection to the outdoor equipment. A serial interface into the modem allows for addition of an optional KIV-7 or equivalent encryption device. An internal

ovenized frequency standard ensures high stability operation.

Applications:

- Quick deploy government or military communications
- Deployable emergency response communications
- Temporary communications from industrial sites (eg: mining, construction, energy)
- Distance learning and Telemedicine applications.

Available versions:

- GCS 212S SCPC FlyAway Terminal
- GCS 212V Video Satellite News Gathering (SNG) Terminal
- GCS 212D DAMA Satellite FlyAway Terminal

Quick deploy systems are also available with larger reflector sizes for higher bandwidth applications. These include 1.5 meter, 1.8 meter and 2.4 meter deployable systems. Contact GCS for product information.

Global Communications Solutions is a full service provider of satellite, wireless and terrestrial communications solutions. We offer satellite communications solutions from portable Inmarsat terminals to flyaway, fixed and trailer mounted C, X, Ku-Band or multi-band satellite earth stations or networks. Multimedia shelter communications systems are also available to address a wide variety of applications.



GCS-212 Falcon Flyaway VSAT System

System Components:

1.2 Meter Quick Deploy Antenna System with Feed
4 watt Block Up Converter (other power levels available)
LNB
200 foot IFL cables (TX and RX)
Equipment Case with:
Modem with L-Band IF Output
Audio line manager with integral 12:4 PABX
Router
100 BaseT Switch

Storage and Transport Cases:

Antenna Tripod: 112 lbs
Reflectors: 94 lbs
Equipment Case 88 lbs

Interfaces:

12 Subscriber lines for phone or fax
15 Local Area Network Inputs to 100BaseT Switch
4 Trunk lines from PABX to Router

Antenna Specifications:

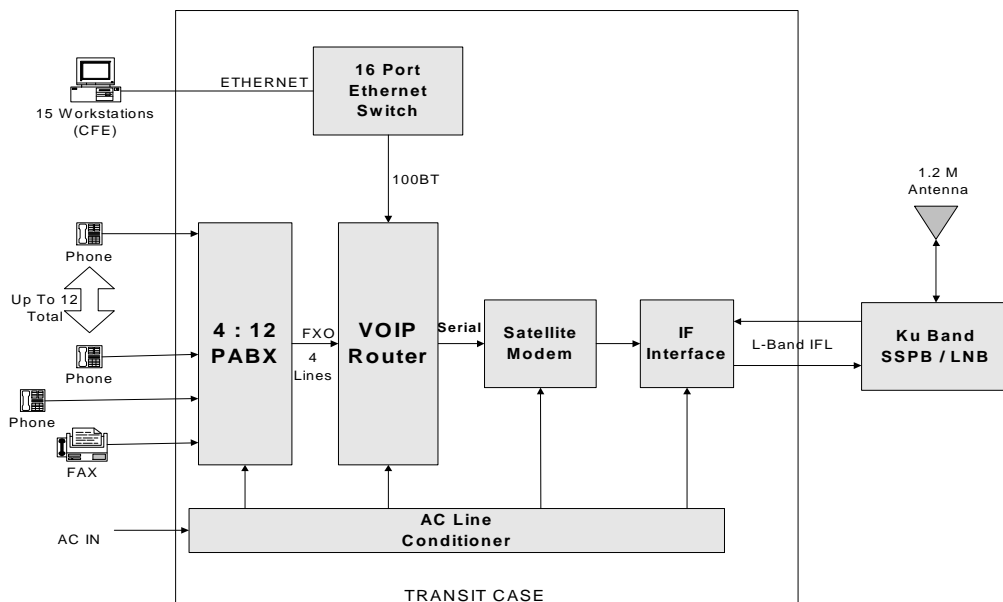
Capable of C, X or Ku-Band operation with appropriate feed and rf equipment. Provided with Ku-Band components.

Feed Type: Prime Focus, Offset Feed
Reflector Material: Two piece reinforced composite

Elevation: 0 to 90 degrees
Azimuth: +/- 30 degrees continuous

Temperature: -40C to +60C

Wind Loading, Survival
- 90 MPH (145 km/h) with ballast or anchors
Wind Loading, Operational
- 45 MPH (72 km/h) with ballast or anchors
- 25 MPH (40 km/h) without ballast or anchors.



Headquarters:

7640 Omnitech Place • Victor, NY 14564 USA
Voice: +1.585.924.4840 • Fax: +1.585.924.8332

Field Offices:

Chicago, Illinois: +1.773.248.8686
Virginia: +1.757.291.2023
Web site: www.globalcoms.com
E-mail: info@globalcoms.com

